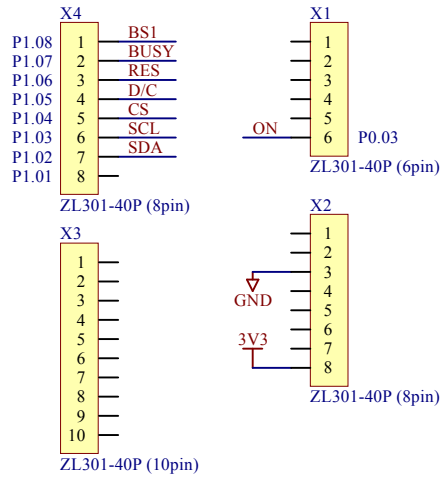
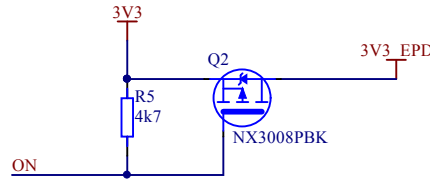


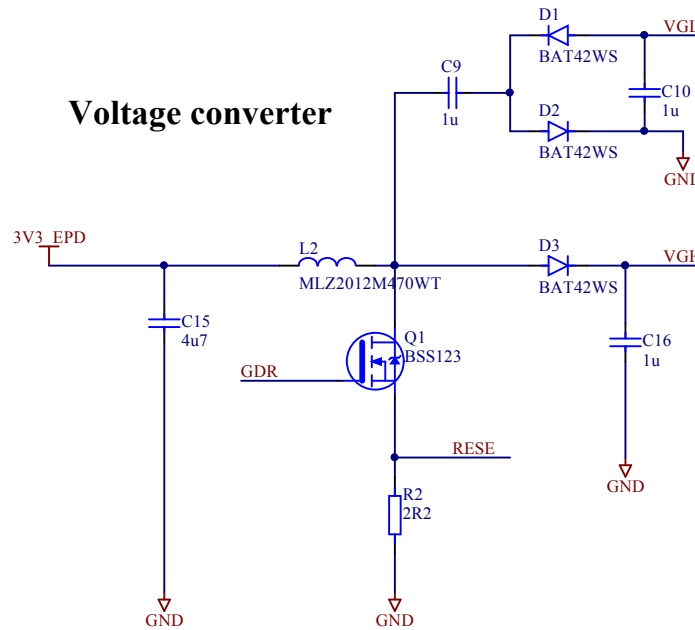
Arduino connector



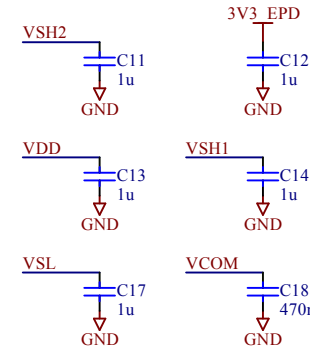
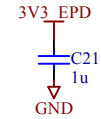
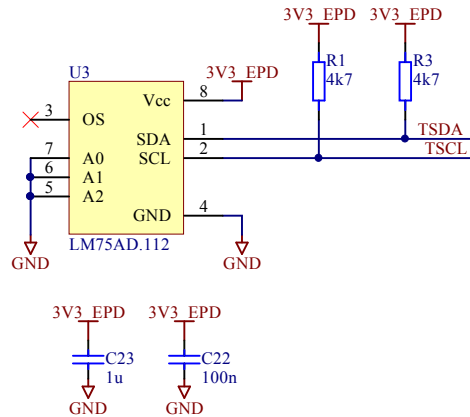
Power switch



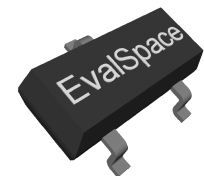
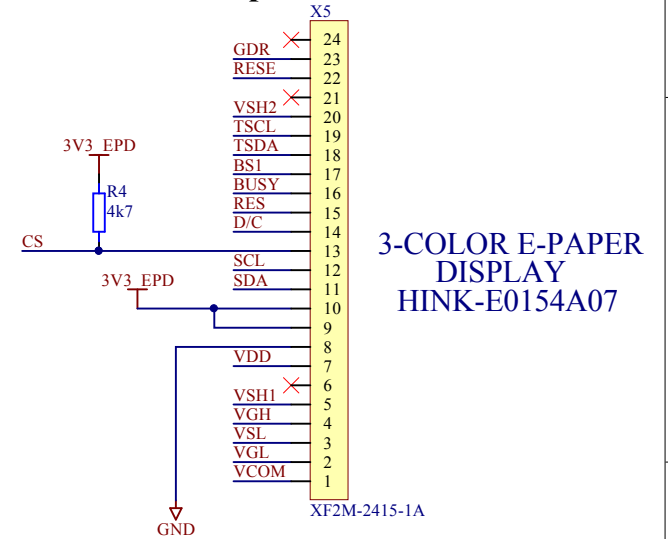
Voltage converter



Temperature sensor



E-Paper connector



PROJECT	Weather Station		
DRAWING TITLE	Schematic		
SHEET TITLE	E-Paper Arduino shield		
DRAWING NO. 006-001	AUTHOR K. Szewczyk		
DATE 2017-10-26	REVISION 2	SHEET 1 / 1	